

# 3MP HD Outdoor Pan & Tilt Wi-Fi Camera

Uho-P2A-M3F4D



## Key Features



- High quality image with 3MP, 1/3"CMOS sensor
- 2304\*1296@20fps in the main stream
- Ultra 265, H.265, H.264
- Support digital WDR (Wide Dynamic Range)
- Built-in Mic & Speaker, support two-way audio, offer better interaction
- Support sound and light warning, makes warning and alarming more noticeable
- Smart IR, up to 30 m (98 ft) IR and 10 m (33 ft) warm light distance, suitable for more scenes
- Self-contained bracket, support two kinds of mounting
- Supports 512 GB Micro SD card
- Wi-Fi connection and easy installation
- IP66 ingress protection
- The front face is made of grapheme, which has better heat dissipation and more environmental protection

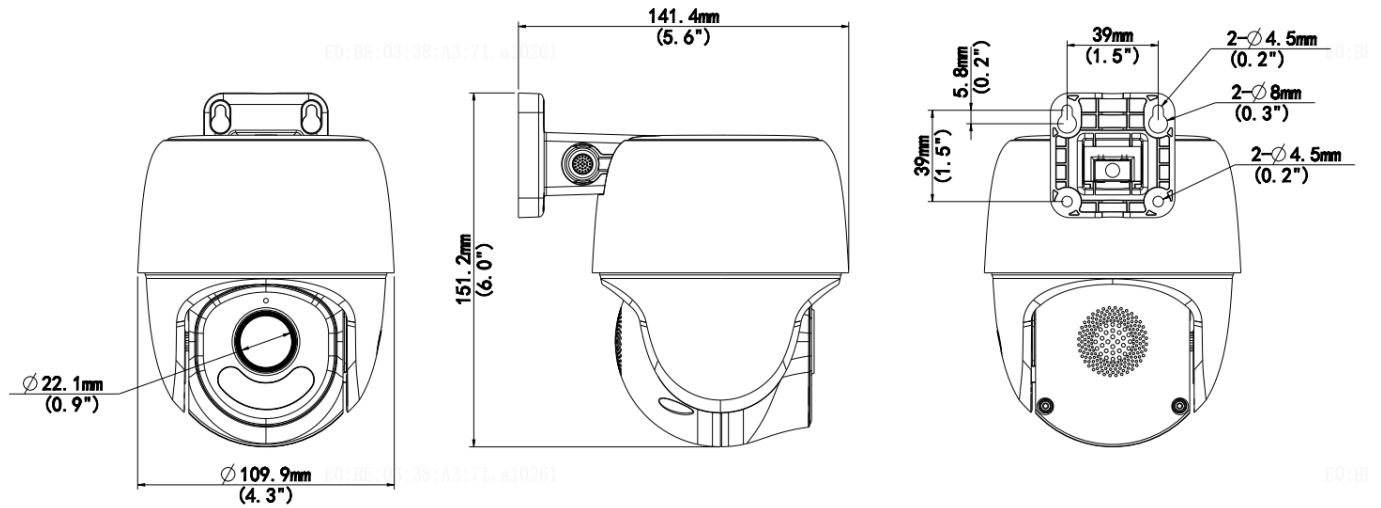
## Specifications

<b>Camera</b>		<b>Uho-P2A-M3F4D</b>			
Sensor	1/3" progressive scan, 3.0 megapixel, CMOS				
Min. Illumination	Colour:0.005 lux (F1.6,AGC ON) 0 lux with IR				
Day/Night	IR-cut filter with auto switch (ICR)				
Shutter	Auto/Manual, shutter time: 1s ~ 1/100000s				
WDR	Digital				
S/N	>52 dB				
<b>Lens</b>					
Lens type	4mm@F1.6				
Digital Zoom	4				
Iris	Fixed				
Field of View (H)	90.5°				
Field of View (V)	44.4°				
Field of View (D)	111.3°				
<b>DORI</b>					
DORI Distance	Lens (mm)	Detect (m)	Observe (m)	Recognize (m)	Identify (m)
	4mm	73.5 (241.0ft)	29.4 (96.4ft)	14.7 (48.2ft)	7.3 (24.1ft)
<b>Illuminator</b>					
IR Range	Up to 30m (98ft)				
Warm Light Range	Up to 10m (33ft)				
Wavelength	850nm				
IR On/Off Control	Auto/Manual				
<b>Video</b>					
Video Compression	Ultra 265, H.265, H.264				
Frame Rate	Main Stream: 3MP (2304*1296), Max 20fps; 2MP (1920*1080), Max 25fps; 720P (1280*720), Max 25fps; Sub Stream: 640*360,Max 25fps; 2CIF(704*288), Max 25fps; CIF(352*288), Max 25fps;				
Video Bit Rate	128 Kbps~2048 Kbps				
ROI	Up to 8 areas				
Video Stream	Dual streams				
OSD	Up to 2 OSDs				
Privacy Mask	Support(Only NVR)				
<b>Image</b>					
White Balance	Auto/Outdoor/Fine Tune/Sodium Lamp/Locked/Auto2				
Digital Noise Reduction	2D/3D DNR				
Smart IR	Support				
Flip	Normal/Flip Vertical/Flip Horizontal/180°				
HLC	N/A				
BLC	Support				
Defog	Digital Defog				
<b>Events</b>					
Basic Detection	Cross line, intrusion(based on human body detection), Human body detection, Motion detection, Audio detection				

Auto tracking	Support
General Function	IP address filtering, Access policy, ARP protection, RTSP authentication, User authentication, HTTP authentication
<b>Audio</b>	
Audio Compression	G.711U,G.711A
Audio Bitrate	64 Kbps
Two-way Audio	Support
Suppression	Support
Sampling Rate	8 kHz
<b>Storage</b>	
Edge Storage	Micro SD, up to 512 GB
Network Storage	ANR
<b>Network</b>	
Wi-Fi	2.4G Wi-Fi (IEEE802.11b/g/n), built-in antenna
Protocols	IPv4, TCP, UDP, DHCP, RTSP, DNS, DDNS, NTP, HTTP
Compatible Integration	API
Client	Uniarch Client Uniarch APP
Web Browser	Plug-in required live view: IE 10 and above, Chrome 45 and above, Firefox 52 and above, Edge 79 and above
<b>Pan &amp; Tilt</b>	
Pan Range	0° ~ 345°
Pan Speed	1°/s ~ 40°/s
	Preset speed: 40°/s
Tilt Range	0° ~ 90°
Tilt Speed	1°/s ~ 30°/s
	Preset speed: 30°/s
Number of Presets	20
<b>Interface</b>	
Built-in Mic	Support
Built-in Speaker	Support
Wi-Fi	Support
Network	1 * RJ45 10M/100M Base-TX Ethernet
<b>Certifications</b>	
EMC	CE EMC (EN 55032,EN 61000-3-3,EN IEC 61000-3-2,EN 50130) FCC (FCC 47 CFR part15 B)
RF	FCC ID (FCC CFR 47 part15 C) CE RED (EN 301 489-1, EN 301 489-17, EN 300 328, EN 62311)
Safety	CE LVD (EN 62368-1)
Environment	CE-RoHS (2011/65/EU;(EU)2015/863); WEEE (2012/19/EU)
Protection	IP66 (IEC 60529)
<b>General</b>	
Power	DC 12V ± 25%
	Power consumption: Max 6.5W
Power Interface	∅ 5.5mm coaxial power plug
Dimensions (∅ x H)	∅110mm*110mm*151mm (∅4.3"x 4.3"x 6.0")
Weight	0.38kg (0.84lb)

Working Environment	-30°C ~ 60°C (-22°F to 140°F), Humidity: ≤95% RH(non-condensing)
Surge Protection	4KV
Reset Button	Support
LED indicator	1, red/blue

## Dimensions



No. 369, Xietong Road, Xixing Sub-district, Binjiang District, Hangzhou City, 310051, Zhejiang Province, China

[www.uniview.com/uniarch](http://www.uniview.com/uniarch)

©2024 Zhejiang Uniview Technologies Co., Ltd. All rights reserved.

\*Product specifications and availability are subject to change without notice.